

OFF-ROAD RACING

TORIC

THE OFF-ROAD BUGGY RACING SERIES



AGES 14+
适用于年龄14岁以上

2.4GHz
Version



1/8 SCALE OFF-ROAD 4WD RACING SERIES

长度 : 550毫米	车轮外直径 : 76毫米	Length : 21.65 Inches (550mm)	Wheel Diameter : 3 Inches (76mm) Outer
前轮距 : 296毫米	全车采用双差速粉末金属伞齿轮 +CNC轴	Front Track : 11.65 Inches (296mm)	Twin Differential Sintered Hardened Steel Bevel Gears With CNC Axis
后轮距 : 296毫米		Rear Track : 11.65 Inches (296mm)	
轴距 : 324毫米	高性能模型滚动轴承	Wheelbase : 12.75 Inches (324mm)	High-speed Ball Bearings
轮胎直径 : 109.5毫米 (前部和后部)	超强抓地力、超耐磨橡胶轮胎	Tire Diameter : 4.31 Inches (109.5mm) (front and rear)	Great grip and super wear-resisting rubber tires

有刷标准版 Brushed Standard Edition (RTR)

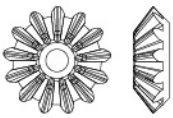
全车采用高性能复合尼龙工程塑胶材料
High Performance Composite Nylon Materials
采用模型专用高放电镍氢、锂电池
Advanced high discharge, high capacity and high power NiMH & LI-PO battery technology
采用模型专用550强磁马达
Professional hobby 550 modified maximum magnetic brushed motor
采用防水高反应、大功率电子调速器
Ultra-smooth, high-frequency operation , high-power handing capability and waterproof brushed Esc
高性能复合尼龙材料、合金盖充油阻尼避震器
High Performance Composite Nylon Materials
The alloy cap oil-filled damp shocks configuration
采用可调节摩擦器
Adjustable Slipper Clutch

竞赛升级版无刷 Professional Upgrade(PRO)

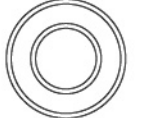
全车采用高性能超强抗冲击复合尼龙工程塑胶材料
High Performance Ultra Rugged Composite Nylon Materials
采用模型专用高放电镍氢、锂电池
Advanced high discharge, high capacity and high power NiMH & LI-PO battery technology
采用模型专用无刷马达
Professional hobby brushless motor
采用高反应、大功率无刷电子调速器
Ultra-smooth, high-frequency operation and high-power handing capability brushless Esc
合金高容量油压阻尼GTR避震器
Front and Rear dual Alloy High-Capacity Damp GTR Shocks
采用金属可调节摩擦器
Adjustable Alloy Slipper Clutch
采用金属前后主动轴连接器
Front and Rear hardened steel Center Driveshaft hub

Front/Rear Differential Gear Assembly 前后差速器总成

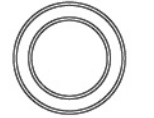
G4313
bevel gear 13T
伞齿轮 x4



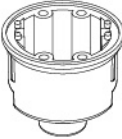
B5504 8x16x5mm
Ball bearings
滚动轴承 x2



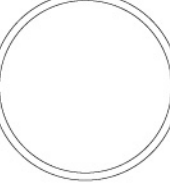
B5505 10x15x4mm
Ball bearings
滚动轴承 x2



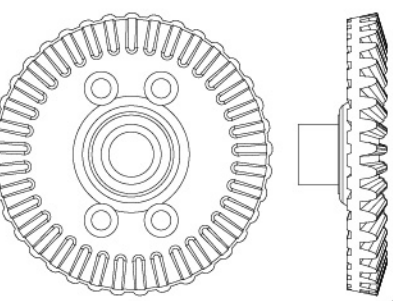
P2014
Differential Carrier
差速壳 x2



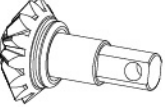
D5403 22.5x24mm
Rubber
橡胶垫 x2



G4837
37T bevel gear
伞齿轮 x2



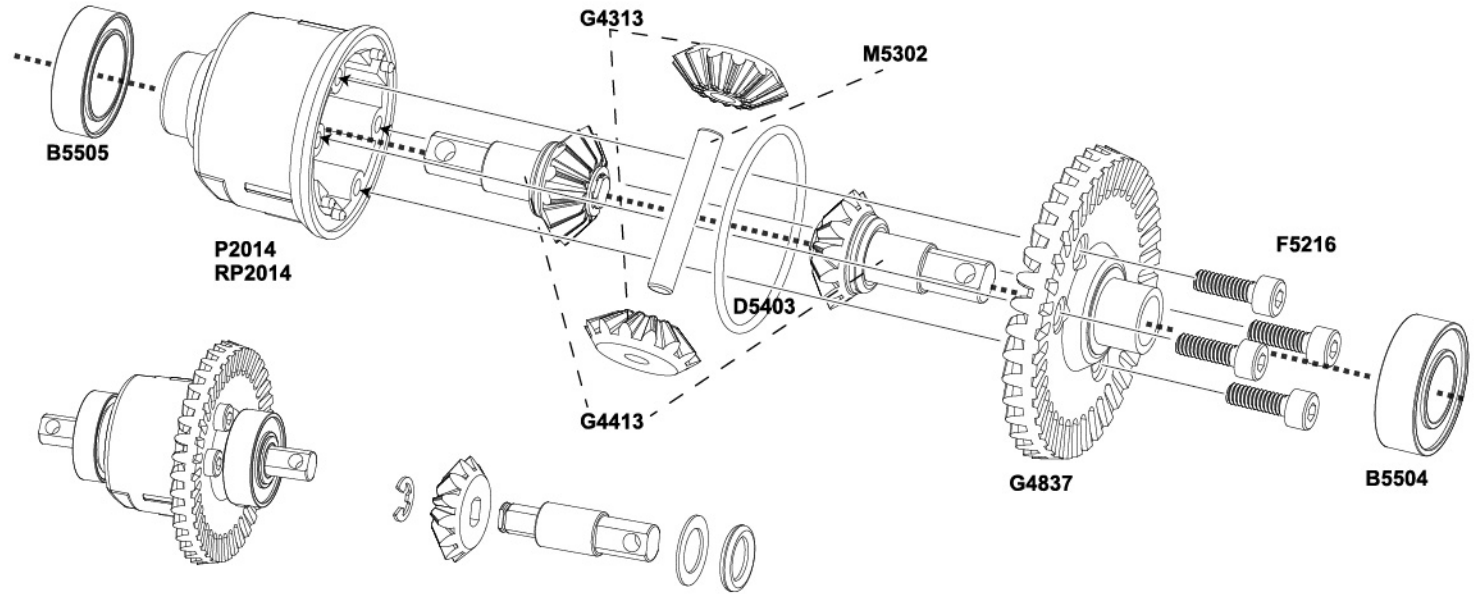
G4413
bevel gear 13T
伞齿轮 x4



F5216 M2.5x8mm
hex socket cap-head
内六角杯头螺丝 x8



M5302 3x20mm
Axle pins
轴销 x2



Throttle Gear with Slipper Clutch System Assembly 减速齿轮和磨擦离合器系统总成

F5218 M3x8mm
hex socket cap-head
内六角杯头螺丝 x3



F5223 M3x2.5x10mm
Screws
内六角螺丝 x1



M5301 2x10mm
Axle pins
轴销 x1



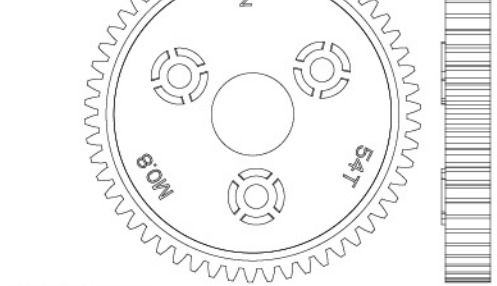
B5502 5x11x4mm
Ball bearings
滚动轴承 x1



B5505 10x15x4mm
Ball bearings
滚动轴承 x1



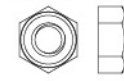
G1854
Spur gear 54T
主从动齿轮 x1



M5313 9x10mm
lipper clutch spring
磨擦片弹簧 x1



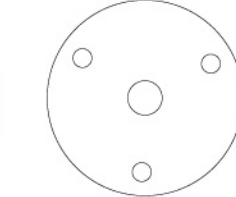
F5227 M5
Mylon locking
防松螺母 x1



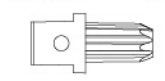
P2039
Slipper pressure plate
磨擦片座 x2



D5405
Slipper clutch
磨擦片 x2



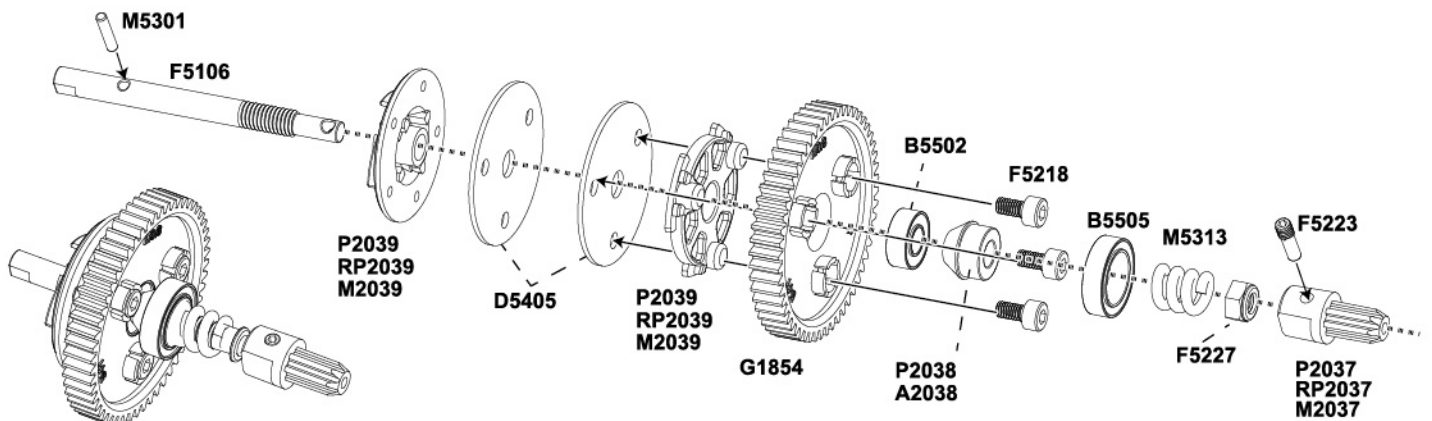
P2037
Drive hub center rear
后传动接头 x1



P2038
Bearing adapter
轴承垫 x1



F5106 5x59mm
Drive shaft
磨擦轴 x1



Front Differential Gear Box Assembly 前差速箱总成

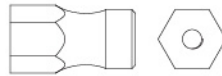
F5223 M3x2.5x10mm
Screws
内六角螺丝 X1



F5204 M3x10mm
hex socket button head
内六角半圆头螺丝 X4

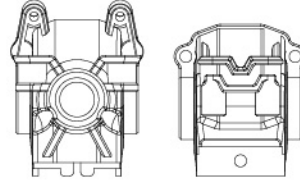


F5206 M3x15mm
hex socket button head
内六角半圆头螺丝 X2

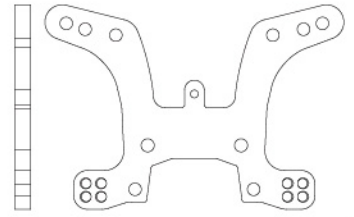


A4015 8x17mm
Absorber body post
避震器柱 X2

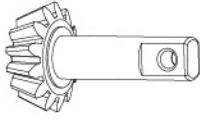
P2013
Housings differential front
前差速箱壳 X2



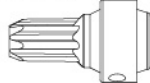
A4012 76x52mm
Shock tower front
前减震器座 X1



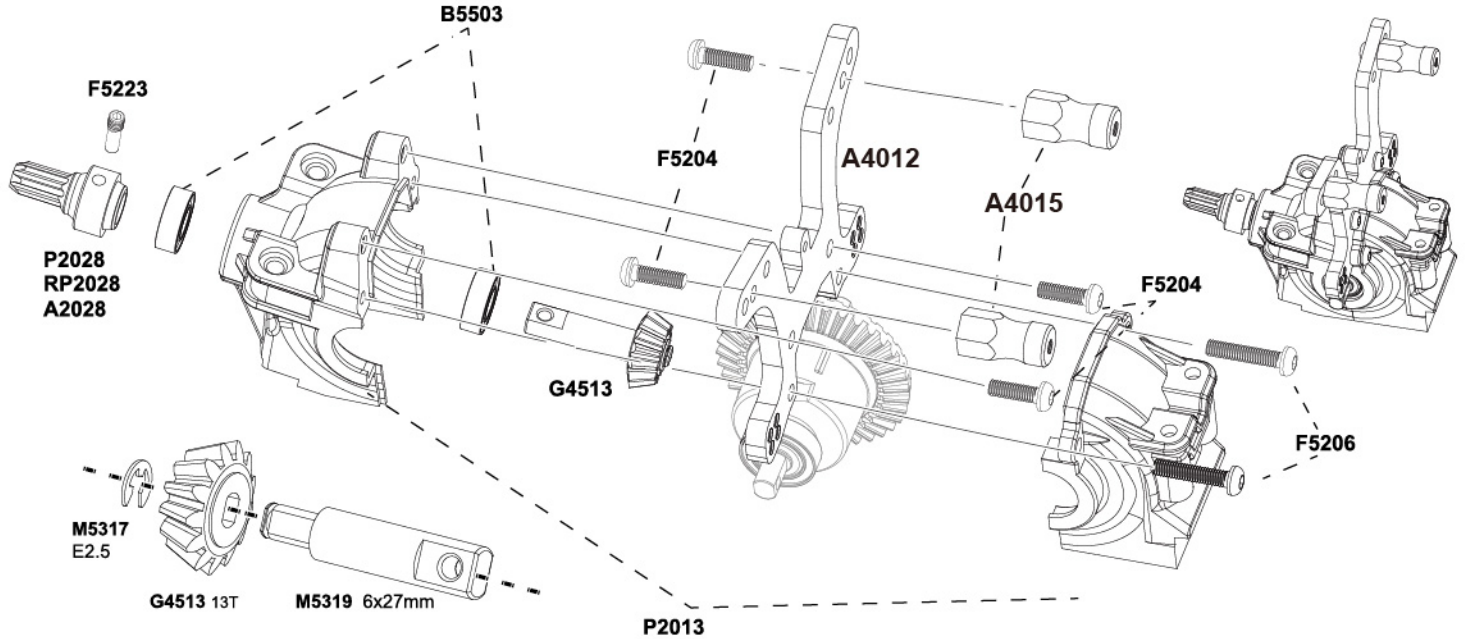
G4513
bevel gear 13T
伞齿轮 X1



P2028
Drive hub center front
前传动接头 X1



B5503 6x12x4mm
Ball bearings
滚动轴承 X2



Rear Differential Gear Box Assembly 后差速箱总成

F5204 M3x10mm
hex socket button head
内六角半圆头螺丝 X2



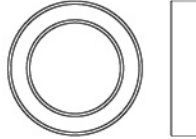
F5206 M3x15mm
hex socket button head
内六角半圆头螺丝 X2



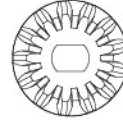
A4014 8x12mm
Absorber body post
避震器柱 X2



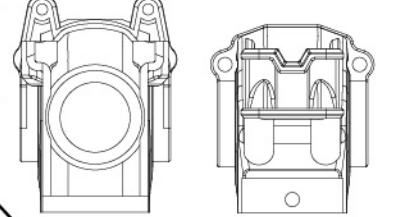
B5506 12x18x4mm
Ball bearings
滚动轴承 X1



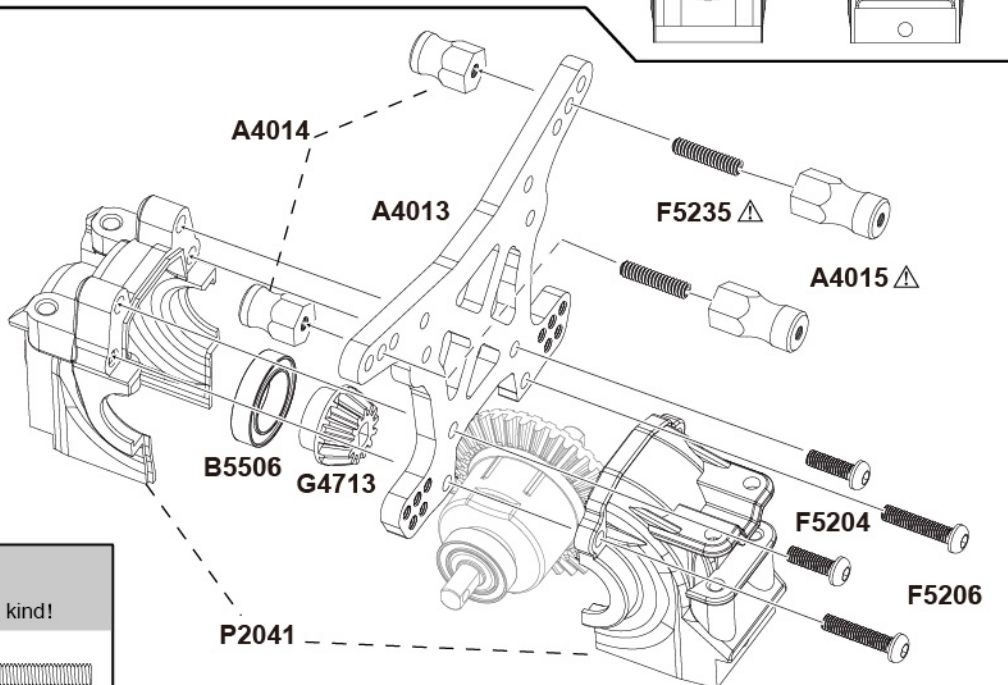
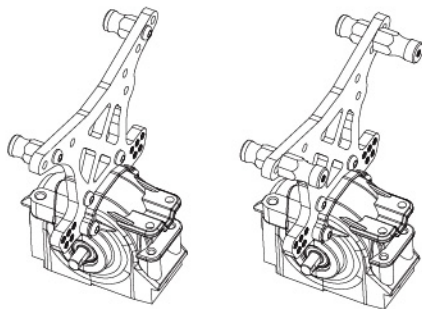
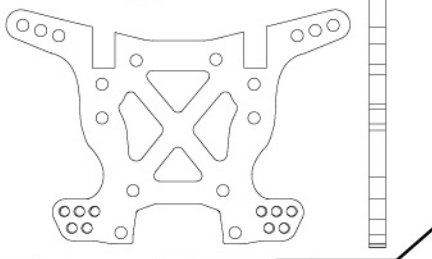
G47 13
bevel gear 13T
伞齿轮 X1



P2041
Housings differential rear
后差速箱壳 X2



A4013 91x62mm
Shock tower rear
后减震器座 X1



因型号结构不同零件不同，以实物为主

Some versions do not contain parts, mainly in kind!

A4015 8x17mm
Absorber body post
避震器柱 X2

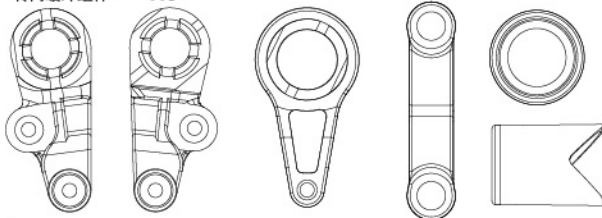


F5235 M3x12mm
hex socket set screws
内六角紧定螺丝 X2

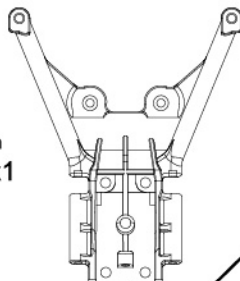


Servo Saver/Steering Assembly 转向缓冲总成

P2029
Steering bellcranks
转向缓冲组件 x6



P2012
Bulkhead front
前差速箱座 x1



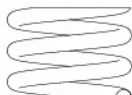
F5220 M3x9mm
hex socket shoulder
内六角台阶螺丝 x2



B5501 5x8x2.5mm
Ball bearings
滚动轴承 x4



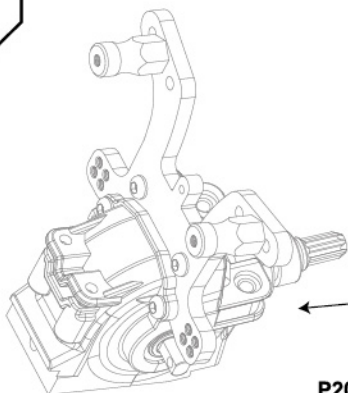
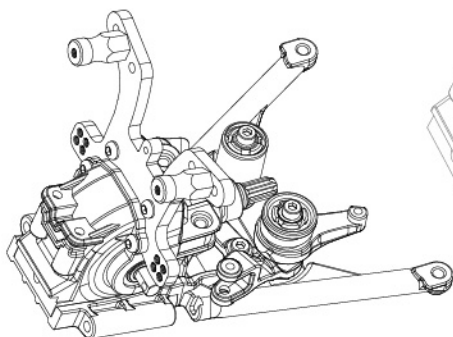
M5314 15x12mm
Servo saver spring
伺服器缓冲弹簧 x1



F5215 M4x12mm
hex socket flat head
内六角平头螺丝 x2



F5217 M3x6mm
hex socket cap-head
内六角杯头螺丝 x2



P2029
RP2029

F5220

B5501

F5217

P2029
RP2029

M5314

F5220

P2012

B5501

F5215

Front Rear Universal Coupling Drive Joint 前后万向联轴器总成

F5223 M3x2.5x10mm
Screws
内六角螺丝 x2



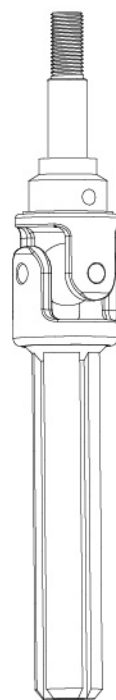
B5505 10x15x4mm
Ball bearings
滚动轴承 x2



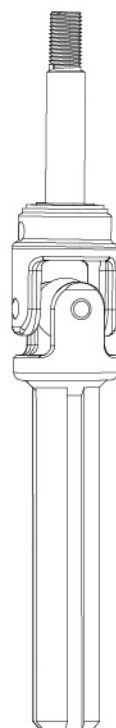
P2018
Universal Coupling Drive Joint
驱动轴管 x4



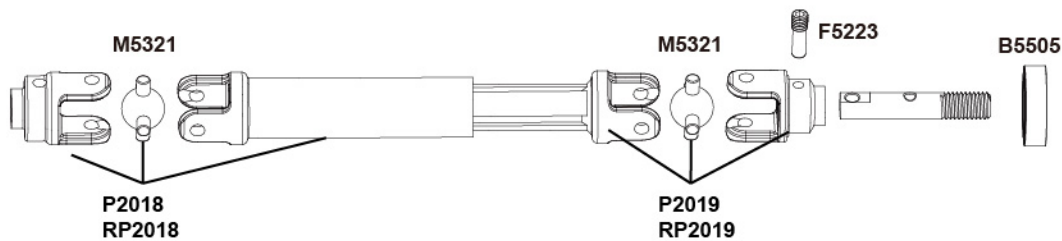
P2019
Front Universal
Coupling Drive Joint
前轮驱动轴管组 x2



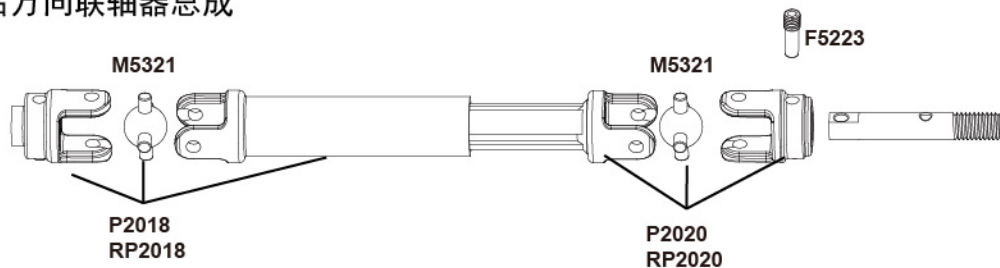
P2020
Rear Universal
Coupling Drive Joint
后轮驱动轴管组 x2



FRONT UNIVERSAL COUPLING DRIVE JOINT 前万向联轴器总成



REAR UNIVERSAL COUPLING DRIVE JOINT 后万向联轴器总成



Front Unit Complete 前部份总成

F5223 M3x2.5x10mm
Screws
内六角螺丝 x2



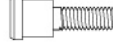
M5301 2x10mm
Axle pins
轴销 x2



F5206 M3x15mm
hex socket button head
内六角半圆头螺丝 x9



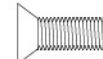
F5221 M3x12mm
hex socket shoulder
内六角台阶螺丝 x6



F5213 M3x14mm
hex socket flat head
内六角平头螺丝 x2



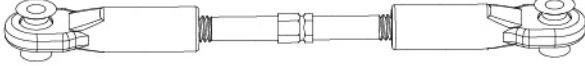
F5215 M4x12mm
hex socket flat head
内六角平头螺丝 x2



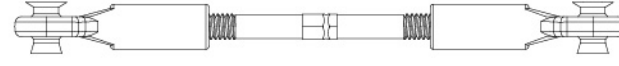
B5502 5x11x4mm
Ball bearings
滚动轴承 x2



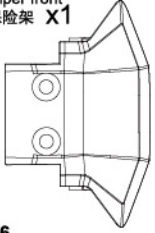
P5975
Rod ends front
前拉杆 x2



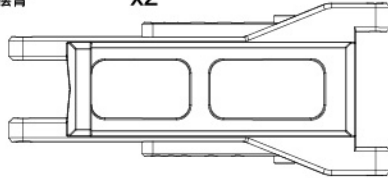
P5976
Steering Rod ends
转向拉杆 x2



P2052
Bumper front
前保险杠 X1



P2015
Suspension arms
摆臂 x2



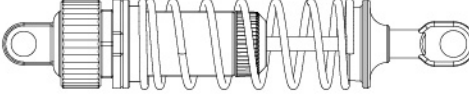
M5303 3.2x52mm
Axle pins
轴销 x2



A4001 91x62mm
Bulkhead tie bars front
前摇臂杆铝片 x1



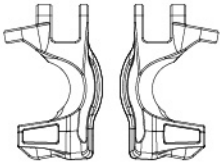
P5961
Shock Absorber
Assembly front
前避震器 x2



F5224
Suspension pin set
轮座轴紧固件 x2



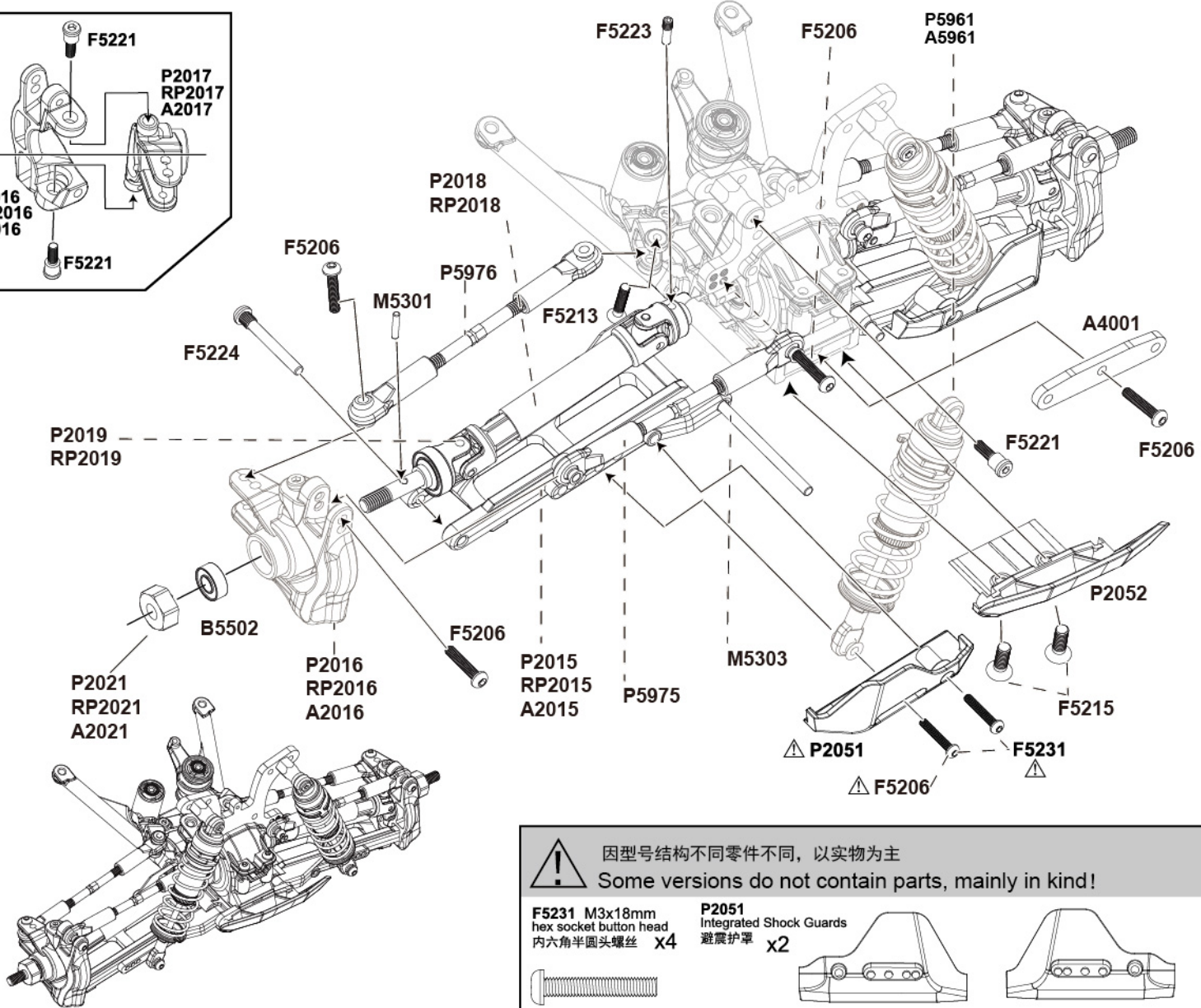
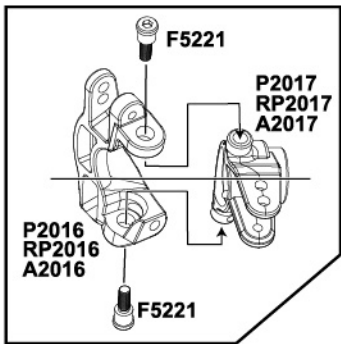
P2016
Caster blocks(c-hubs)
C型座 x2



P2017
Steering blocks
转向块 x2



P2021
Wheel hubs
轮座固件 x2



! 因型号结构不同零件不同, 以实物为主
Some versions do not contain parts, mainly in kind!

F5231 M3x18mm
hex socket button head
内六角半圆头螺丝 x4

P2051
Integrated Shock Guards
避震护罩 x2

Rear Unit Complete 后部份总成

F5223 M3x2.5x10mm Screws 内六角螺丝 x2	M5301 2x10mm Axle pins 轴销 x2	F5206 M3x15mm hex socket button head 内六角半圆头螺丝 x7	F5212 M3x12mm hex socket flat head 内六角平头螺丝 x4	F5220 M3x9mm hex socket shoulder 内六角台阶螺丝 x2	F5224 Suspension pin set 轮座轴紧固件 x2	A4002 91x62mm Bulkhead tie bars rear 后摇臂杆铝片 x1
P5977 Rod ends rear 后拉杆 x2	M5303 3.2x52mm Axle pins 轴销 x2	P2043 Carriers stub axle rear 后轮座 x2	P2021 Wheel hubs 轮座固件 x2	B5502 5x11x4mm Ball bearings 滚动轴承 x4		
P5962 Shock Absorber rear 后避震器 x2						
P2015 Suspension arms 摆臂 x2						
P2053 Bumper rear 后保险杠 x1						
P2040 Bulkhead rear x1 后差速箱座						

Rear dual Shocks Assembly 后双避震车型

因型号结构不同零件不同，以实物为主
Some versions do not contain parts,
mainly in kind!

P2051 Integrated Shock Guards 避震护罩 x2	F5221 M3x12mm hex socket shoulder 内六角台阶螺丝 x2
P5962 Shock Absorber rear 后避震器 x2	F5231 M3x18mm hex socket button head 内六角半圆头螺丝 x4

Wing Assembly 翼总成

F5203 M3x6mm hex socket button head 内六角半圆头螺丝 x2	
F5204 M3x10mm hex socket button head 内六角半圆头螺丝 x4	
F5221 M3x12mm hex socket shoulder 内六角台阶螺丝 x2	
M5312 Body Clips 车壳铁销 x2	

Chassis System Assembly 底盘系统装配图

F5203 M3x6mm
hex socket button head
内六角半圆头螺丝 X1

F5204 M3x10mm
hex socket button head
内六角半圆头螺丝 X2

F5230 M3x5mm
hex socket flat head
内六角平头螺丝 X1

F5210 M3x8mm
hex socket flat head
内六角平头螺丝 X2

F5222 M3x6mm
hex socket flat head
内六角大平头螺丝 X5

P2036
Motor mount
马达安装座 X1

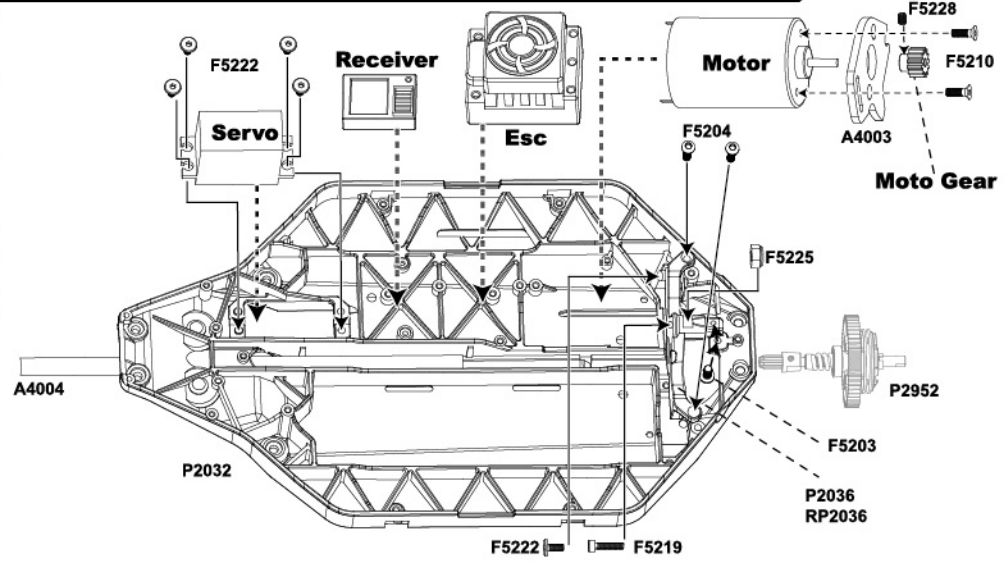
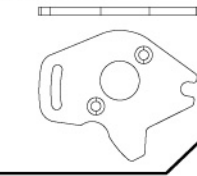
A4004
Center Driver Shaft
合金主驱动轴 X1

F5219 M3x14mm
hex socket cap-head
内六角杯头螺丝 X1

F5225 M3
Mylon locking
防松螺母 X1

P2032
Chassis Slash
车底座 X1

A4003
Plate motor
马达固定片 X1



Assembly View 总装配图

F5203 M3x6mm
hex socket button head
内六角半圆头螺丝 X8

F5208 M4x10mm
hex socket button head
内六角半圆头螺丝 X2

F5209 M4x12mm
hex socket button head
内六角半圆头螺丝 X6

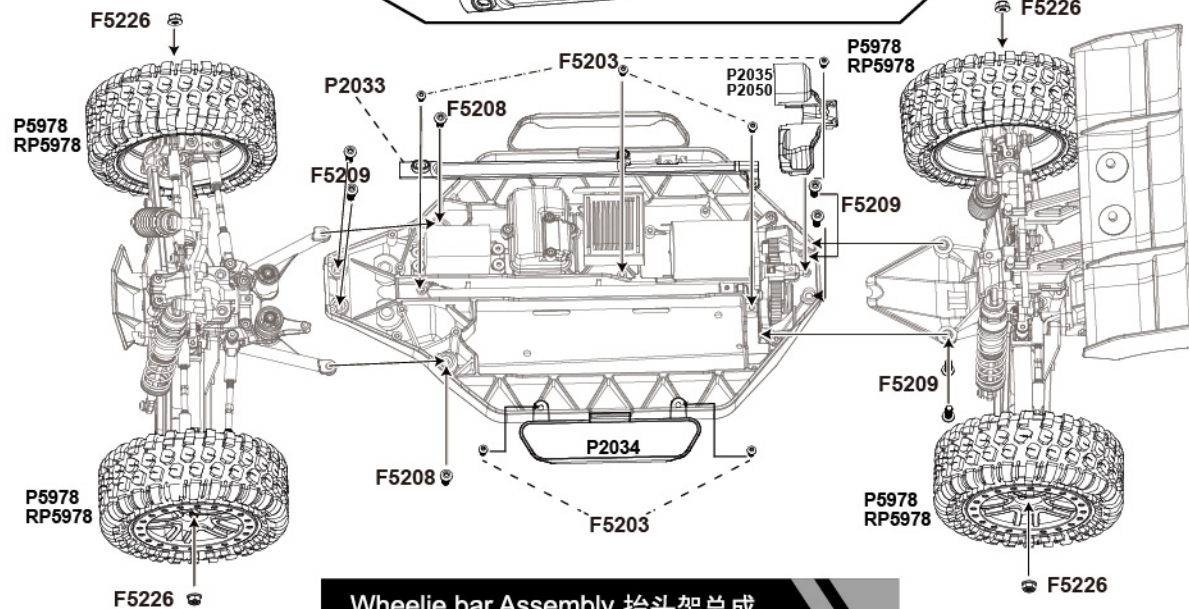
F5226 M4
Mylon locking
防松螺母 X4

P2035
Cover gear
齿轮盖 X1

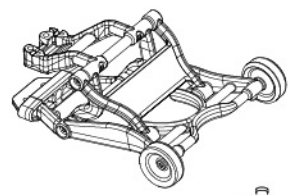
P5978
Tires
轮胎 X4

P2034
Nerf bars chassis
底盘侧杠 X2

P2033
Cover center driveshaft
传动管盖 X1



因型号结构不同零件不同，以实物为主
Some versions do not contain parts, mainly in kind!



Wheelie bar Assembly 抬头架总成

P2058
Wheelie bar
抬头架 X3

F5221 M3x12mm
hex socket shoulder
内六角台阶螺丝 X6

F5204 M3x10mm
hex socket button head
内六角半圆头螺丝 X4

F5207 M3x20mm
hex socket button head
内六角半圆头螺丝 X1

P2059
Wheelie bar
抬头架 X4

Caution:
due to technique updates constantly,
pictures are for reference only,
products are subject to availability.
由于技术不断更新，配件、数据
和图片有所不同，以实物为准!

